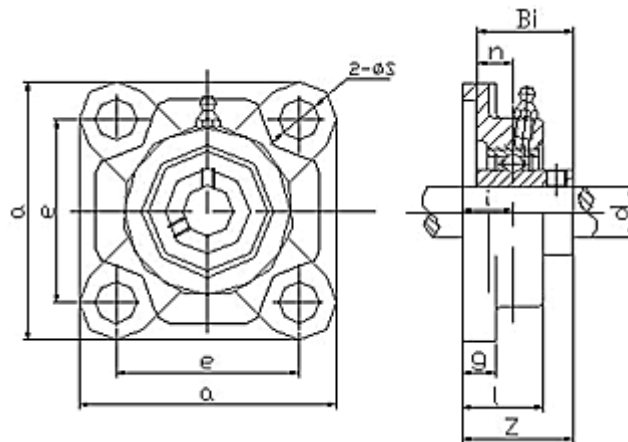


UCF 300



unite NO.	d	a	e	i	g	l	s	z	B	n	Bolt Size	Bearing No.	Housing No.	Weight(kg)
UCF305	25	110	80	16	13	29	16	39	38	15	M14	UC305	F305	1.1
UCF306	30	125	95	18	15	32	16	44	43	17	M14	UC306	F306	1.6
UCF307	35	135	100	20	16	36	19	49	48	19	M16	UC307	F307	2
UCF308	40	150	112	23	17	40	19	56	52	19	M16	UC308	F308	2.7
UCF309	45	160	125	25	18	44	19	60	57	22	M16	UC309	F309	3.4
UCF310	50	175	132	28	19	48	23	67	61	22	M20	UC310	F310	4.5
UCF311	55	185	140	30	20	52	23	71	66	25	M20	UC311	F311	5.5
UCF312	60	195	150	33	22	56	23	78	71	26	M20	UC312	F312	6.5
UCF313	65	208	166	33	22	58	23	78	75	30	M20	UC313	F313	7.9
UCF314	70	226	178	36	25	61	25	81	78	33	M22	UC314	F314	9.5
UCF315	75	236	184	39	25	66	25	89	82	32	M22	UC315	F315	12
UCF316	80	250	196	38	27	68	31	90	86	34	M27	UC316	F316	14
UCF317	85	260	204	44	27	74	31	100	96	40	M27	UC317	F317	16
UCF318	90	280	216	44	30	76	35	100	96	40	M30	UC318	F318	19
UCF319	95	290	228	59	30	94	35	121	103	41	M30	UC319	F319	22